

High Speed Broadband for Regional Jets

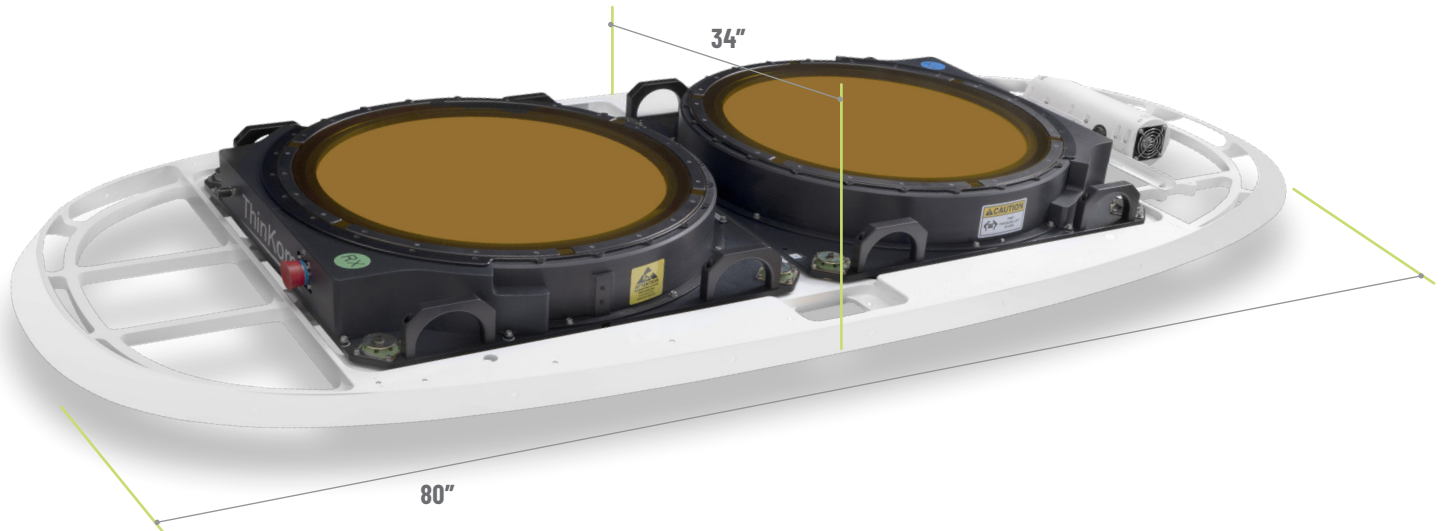


For regional fleets and smaller aircraft, the ThinAir Ka1717 integrates years of fielded technology in an ARINC 792 package for a compact, resilient and highly efficient connectivity system.

Key Features

- Seamless operation on GSO and NGSO networks
- Modem agnostic for flexibility among all networks
- Fully integrated OAE package, freeing up valuable cabin space
- Low profile and lightweight for fuel savings
- Patented, proven VICTS technology for long-term reliability
- Gate-to-gate operation with low prime power demands
- High throughput: Up to 500 Mbps down and 150 Mbps up
- High spectral efficiency (up to 3 bits/Hz)

TECHNICAL SPECIFICATIONS



Compatibility

Operating Band: Ka-band

- Tx: 27.5 to 30 GHz
- Rx: 17.7 to 20.2 GHz

Constellations: LEO/MEO/GEO/HEO

Satellite Services: Agnostic; inquire for specific network certifications

Tracking and Agility

Azimuth Coverage: 360° continuous

Elevation Coverage: +7.5° to +90° (network dependent)

Beam Agility: >300°/sec

Tracking Accuracy: <0.2°

Throughput and Performance

(Typical, at mid-band, cruise conditions, not including radome)

Data Rates: Up to 500 Mbps down and 150 Mbps up (network dependent)

G/T: 16 dB/K peak (11.5 dB/K at 20° elev.)

Network Efficiency: Up to 3 bits/Hz

Instantaneous Bandwidth: 750 MHz

EIRP: 50.5 dBW (46 dBW at 20° elev., 20 W Psat SSPB)

Transmit EIRP Spectral Density: (per 47 CFR 25.218)

- Up to 40.5 dBW/MHz ESD at high latitudes (to 75° N/S)
- Up to 41.5 dBW/MHz ESD at low to mid latitudes (to 50° N/S)

Azimuth Beamwidth: 1.8° Tx and 2.5° Rx

Polarization: Switchable circular (co/orthogonal), simultaneous dual-pol mode

Axial Ratio: <1.5 dB typical

Size, Weight and Power

(Includes Tx/Rx antenna, ACU, SSPB, radome, adapter plate and fairing)

Dimensions (L x W x H*): 80" x 34" x 9" (2.0 m x 0.9 m x 0.2 m)

Weight: 155 lb (70 kg)

Average Power: 228 W

*Above fuselage crown

Regulatory Compliance

47 CFR 25.218

WRC-19 5G Terrestrial Protection

ITU Article 22 Section II

Environmental

Operating Temperature: -55°C to +74°C external

Environmental Compatibility: RTCA/DO-160G

ThinKom

www.thinkom.com

4881 West 145th Street, Hawthorne, CA 90250 USA

1.310.371.5486

© 2023 ThinKom Solutions, Inc. All rights reserved. ThinKom Solutions reserves the right to make changes in its products or specifications at any time and without notice. All trademarks indicated as such herein are trademarks of ThinKom Solutions.

© Reg. U.S. Patent and Trademark Office.

TAKa1717Rev 10/23